

**SINGER**  
**153W100**

# LIST OF PARTS



## MACHINE No. 153w100

THE SINGER MANUFACTURING COMPANY

### INDEX

Accessories .....	Page 14
Bobbin Winder .....	14
Foot Lifter .....	15
Machine No.153w100 .....	5
Numerical List of Parts .....	17

From the library of: Diamond Needle Corp

# INSTRUCTIONS FOR ORDERING

In ordering from this list, use ONLY the PART number in the FIRST column.

The number stamped on a Sewing Machine Part is the number of the Single Part only, except when the part includes Set Screws, Clamping Screws, Studs and Rollers Spun on, Small Wires riveted, or Parts soldered together, etc., which it is necessary to furnish in combination.

Every combination of parts sent out has its specific number which, although not stamped on Parts (except in above case), must be used when ordering the combination.

Each number always indicates the SAME PART in whatever list it appears, or for whatever Machine.

The letters after some of the numbers indicate the style of finish only, as follows:

- A. Hardened, Polished and Plated.
- B. Polished and Plated.
- C. Hardened only.
- D. Polished only.
- E. Soft, not polished.
- F. Hardened and Polished.
- H. Blued.
- J. Nickel Plated only.
- R. Merlized.
- Y. Black Nickel Plated only.

These letters MUST BE USED when they appear in the list and AFTER the number, as in the list.

In this series

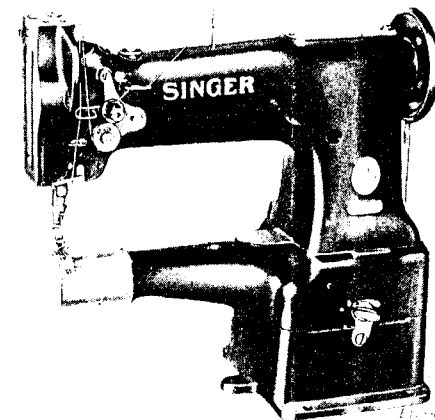
- 200001 to 201500 and 350001 to 351500 are Screw Numbers.
- 201501 to 201800 and 351501 to 351800 are Nut Numbers.
- 201801 to 202000 and 351801 to 352000 are Roller Numbers.
- 202001 to 350000 are Numbers of Machine Parts.

The figures in the second column refer only to the plate in which the illustration of the part is shown and are NOT TO BE USED in ordering.

Two or more numbers over a cut indicate that the difference between such parts is not visible in an illustration.

Parts marked with an asterisk (\*) are furnished only when repairs are made at the factory.

## LIST OF PARTS COMPLETE FOR



MACHINE No. 153w100

HIGH SPEED. BELT DRIVE. VERTICAL HOOK.  
LINK TAKE-UP. SAFETY CLUTCH.  
FOOT LIFTER.

For Setting Sleeves in Mackinaw Coats  
and Similar Work.

No.	Plate	Name
*240601	-----	Arm with 202135
240069	16903	" Cap with 244071
244071	-----	" " Oil Wick
200278H	15222	" " Screw
202248	15189	" " Washer
204235	15222	" Position Pin (2)
200004E	16901	" Screw (3)
202005	15189	" Washer (3)
240602	16904	" Shaft with 200357E and 224392
223607	16903	" Bushing (back) with 202260
202260	-----	" " Oil Packing (wick)
200338C	15189	" " Set Screw
207080	16903	" " (front) with 202244

From the library of: Diamond Needle Corp

## PARTS FOR MACHINE No. 153w100

No.	Plate	Name
202244	-----	Arm Shaft Bushing (front) Oil Packing (wick)
200502B	15189	Arm Shaft Bushing (front) Oil Packing Thumb Screw
200338C	15189	Arm Shaft Bushing (front) Set Screw
235003	16903	" " Connection Belt
224104	16903	" " " " Pulley with 200327C, 200602E and two 202253
200602E	15222	Arm Shaft Connection Belt Pulley Position Screw
200327C	15222	Arm Shaft Connection Belt Pulley Set Screw
202253	15222	Arm Shaft Connection Belt Pulley Spring Flange
233692	16903	Arm Shaft Connection Belt Timing Plate
200164B	15222	" " " " " " " " Screw (2)
224392	-----	Arm Shaft Oil Packing (wick)
200357E	15222	" " " " Stop Screw
241561	16904	Balance Wheel (disc) (belt groove 2-3/4 in. diam.) with 200328C and 200335C
200328C	15222	Balance Wheel Position Screw
200335C	15222	" " Set Screw
*240603	-----	Bed (cylinder) with 201461C and 213380
233607	16903	" " Cap
222404	15222	" " " Position Pin (2)
200100D	15222	" " " Screw (2)
213787	16904	" " End Cover
213890	-----	" Base (4 in. high)
203184	15222	" Clamp
200262H	15222	" " Hinge Screw
202622	15189	" " Packing Washer
200728B	15222	" " Thumb Screw
203185	15222	" " Washer
202618	16904	" Hinge
200030H	15222	" " Screw (6)
213335	16903	" Slide (back)
233643	16903	" " Clamp Plate (back)
233609	16903	" " " " (front)
200582H	15189	" " " " Screw (4)
203470	15189	Bobbin
*203520	-----	" Case
203648	15189	" " Latch
*202056	-----	" " " Pin
203473	15189	" " " Plunger
203474	15189	" " " Spring
233636	15189	" " Lever
*233640	-----	" " " Eccentric
221147	15189	" " " Position Pin
203576	15189	" " " Fulcrum with 203579

## PARTS FOR MACHINE No. 153w100

No.	Plate	Name
200110D	16901	Bobbin Case Lever Fulcrum Screw
203578	15189	" " " Slide
203579	15189	" " " Stud
203214	15189	" " Tension Spring
200984C	15189	" " " Regulating Screw
200594C	15189	" " " Screw
203216	-----	" " Washer (cloth)
203521	15189	Bobbin Case complete, Nos. 200594C, 200984C, 202056, 203214, 203216, 203473, 203474, 203520 and 203648
210911	16904	Face Plate
202135	16901	" " Position Pin
200473B	16901	" " Thumb Screw
233694	15189	Feed Bar with 213610
213298	15189	" " Connecting Link with two 350411C
350411C	16901	" " " Pinch Screw
200935F	15189	" " " Screw Stud
201531E	16901	" " " " " Nut
213610	15220	" " " Stud
240604	16907	" Dog, 46 needle hole, for needle sizes 16 and 18
350149E	16901	Feed Dog Screw
221163	16901	" " Stop Washer
224106	16904	" Driving Connection with 200049D and 202277
350410C	16901	Feed Driving Connection Hinge Screw
201517D	16218	" " " " " Nut
202277	-----	" " " " " Oil Packing (wick)
202277	-----	Feed Driving Connection Oil Packing (wick)
200049D	16901	Feed Driving Connection Pinch Screw
235082	16903	" " Eccentric Regulating Bracket
235009	-----	" " " " " 235082 with 224108, two each 200256C and 201525E
224108	16908	Feed Driving Eccentric Regulating Bracket Flange with 200383C and 200437C
200437C	16901	Feed Driving Eccentric Regulating Bracket Flange Position Screw
200383C	16901	Feed Driving Eccentric Regulating Bracket Flange Set Screw
200356C	16901	Feed Driving Eccentric Regulating Bracket Hinge Screw
201525E	15220	Feed Driving Eccentric Regulating Bracket Hinge Screw Nut
202301	16901	Feed Driving Eccentric Regulating Bracket Plunger
202595	16901	Feed Driving Eccentric Regulating Bracket Plunger Spring

## PARTS FOR MACHINE No. 153w100

No.	Plate	Name
200607C	16901	Feed Driving Eccentric Regulating Bracket Plunger Spring Stop Screw
200256C	16901	Feed Driving Eccentric Regulating Bracket Stop Screw
201525E	15220	Feed Driving Eccentric Regulating Bracket Stop Screw Nut
200429C	16901	Feed Driving Eccentric Regulating Screw
200383C	16901	" " " " " "
		Check Screw
240610	16904	Feed Driving Rock Shaft
233614	16901	" " " " Bearing
201525E	15220	" " " " Nut
235066	16908	" " " " Bushing
200346C	16901	" " " " Set Screw
203244	15838	" " " " Collar with two 200393C
200393C	15838	Feed Driving Rock Shaft Collar Set Screw
240611	16901	" " " " Crank with 200038C (for 6 to 12 stitches to the inch)
		Note: No. 240611 Feed Driving Rock Shaft Crank is furnished unless No. 240612 is ordered.
240612	16901	Feed Driving Rock Shaft Crank with 200038C (for 8 to 28 stitches to the inch)
200038C	15220	Feed Driving Rock Shaft Crank Pinch Screw
233695	16901	Feed Lifting Cam with 200392C and 200447C
200447C	15220	Feed Lifting Cam Position Screw
233696	16901	" " " Retainer
200583H	15220	" " " Screw
200392C	16902	" " " Set Screw
240613	16904	Feed Regulating Spindle with 202443, 202619 and 240614 (for 6 to 12 stitches to the inch)
		Note: No. 240613 Feed Regulating Spindle is furnished unless No. 240615 is ordered.
240615	16904	Feed Regulating Spindle with 202443, 202619 and 240616 (for 8 to 28 stitches to the inch)
*240614	-----	Feed Regulating Spindle Head
*240616	-----	" " " " "
202443	16902	" " " " Pin
202619	16902	" " " " Position Pin
240617	16904	Foot Lifter Lifting Lever
200262H	15222	" " " " Hinge Screw
227561	16908	" " " " Spring

## PARTS FOR MACHINE No. 153w100

No.	Plate	Name
200835D	16902	Foot Lifter Lifting Lever Spring Screw
*203522	-----	Hook (sewing)
203523	16902	" 203522 with 203525 and two 201253F
203524	-----	Hook and Bobbin Case complete, Nos. 203521 and 203523
233697	16902	Hook Bevel Gear Socket, 18 teeth
200556H	16902	" " " " Screw
240618	16902	" " " Pinion with three 200386C
200386C	15220	" " " Set Screw
240619	16908	" Driving Counter Shaft
240620	16908	" " " Bushing (back)
200346C	16901	" " " " " " " " Set Screw
235017	16908	Hook Driving Counter Shaft Bushing (front)
200346C	16901	Hook Driving Counter Shaft Bushing (front) Set Screw
235018	16902	Hook Driving Counter Shaft Gear with 200382C and 200398C
200398C	16902	Hook Driving Counter Shaft Gear Position Screw
200382C	15228	Hook Driving Counter Shaft Gear Set Screw
240621	16902	Hook Driving Counter Shaft Oil Tube (brass)
240622	16904	Hook Driving Shaft
235021	16908	" " " Bushing (back)
200346C	16901	" " " " Set Screw
213380	15220	" " " " (front)
201461C	16902	" " " " Position Screw
203244	15838	Hook Driving Shaft Collar with two 200393C
200393C	15838	Hook Driving Shaft Collar Set Screw
235018	16902	" " " Gear with 200382C and 200398C
200398C	16902	Hook Driving Shaft Gear Position Screw
200382C	15220	" " " " Set Screw
240623	16908	" " " Lock Ratchet with 200354C and 200362C
200354C	16902	Hook Driving Shaft Lock Ratchet Position Screw
200362C	16902	Hook Driving Shaft Lock Ratchet Set Screw
265044	16902	Hook Driving Shaft Lock Stud
248423	16902	" " " " Cotter Pin
265045	16902	" " " " Socket
248425	16902	" " " " Spring
265046	-----	Hook Driving Shaft Lock Stud complete, Nos. 248423, 248425, 265044 and 265045

## PARTS FOR MACHINE No. 153w100

No.	Plate	Name
203525	16902	Hook Gib
201253F	16902	" " Screw
233622	16905	" Saddle
233758	-----	Hook Saddle complete, Nos. 200110D, 200556H, 202299, 203524, 203576, 203578, 233622, 233636, 233697 and 238237
202299	-----	Hook Saddle Oil Packing (wick)
200541E	16902	" " Screw (2)
225837	15220	" " " Washer (2)
238237	16902	" Washer with 233640 and three 221147
240020	16908	Needle Bar with 200125F, 200175D and 240039
202552	16905	Needle Bar Connecting Link
264718	14500	" " " " Oil Guard
201183D	16905	" " " " " Screw
202333	14500	" " " " Stud with 202254
202254	-----	Needle Bar Connecting Link Stud Oil Packing (wick)
200374C	16905	Needle Bar Connecting Link Stud Set Screw
200383C	16901	Needle Bar Connecting Link Stud Set Screw
223688	14500	Needle Bar Connecting Stud with 200072C and 202330
202330	-----	Needle Bar Connecting Stud Oil Packing (wick)
200072C	15189	Needle Bar Connecting Stud Pinch Screw
202692	16908	" " Crank with 200335C, 200374C, 200383C, 200428C and 202333
240021	-----	Needle Bar Crank 202692 with 202399, 202400, 202552, 223688 and 240022
203172	14500	Needle Bar Crank Friction Washer
200428C	14500	" " " Position Screw
200335C	15222	" " " Set Screw
237339	16904	" " Rock Frame
210910	16905	" " " " Hinge Stud with 202277
202277	-----	" " " " " Oil Packing (wick)
200347C	16905	Needle Bar Rock Frame Hinge Stud Set Screw
202666	14500	Needle Bar Rock Frame Position Bracket
200098F	16905	" " " " " " " Screw
223690	16904	Needle Bar Rock Frame Rock Shaft
223691	-----	" " " " " " " 223690 with 200387C and 210920
264112	16908	Needle Bar Rock Frame Rock Shaft Crank with 200029E

## PARTS FOR MACHINE No. 153w100

No.	Plate	Name
240624	16904	Needle Bar Rock Frame Rock Shaft Crank Connection with 202277
200833C	14500	Needle Bar Rock Frame Rock Shaft Crank Connection Hinge Screw
201522E	14500	Needle Bar Rock Frame Rock Shaft Crank Connection Hinge Screw Nut
202277	-----	Needle Bar Rock Frame Rock Shaft Crank Connection Oil Packing (wick)
200029E	14500	Needle Bar Rock Frame Rock Shaft Crank Pinch Screw
202668	14500	Needle Bar Rock Frame Slide Block
210920	-----	" " " " " " " 202668 with 201141C
201141C	15838	Needle Bar Rock Frame Slide Block Screw Stud
200387C	16218	Needle Bar Rock Frame Slide Block Screw Stud Set Screw
240039	16906	Needle Bar Thread Guide
200175D	16906	" " " " " Screw
200125F	16906	" Set Screw
208566	16908	Presser Bar with 200074F
207072	14500	" " Bushing (2)
200352C	14500	" " " Set Screw (2)
202671	15838	" " Lifter
200653C	15838	" " " Hinge Screw
207963	15838	" " Lifting Releasing Lever Bracket
200975F	14500	Presser Bar Lifting Releasing Lever Bracket Guide Screw
206608	15838	Presser Bar Lifting Releasing Lever Bracket Spring
202337	14500	Presser Bar Position Guide
202338	14500	" " " " " Lever with 200086F
200086F	14500	Presser Bar Position Guide Lever Pinch Screw
203520C	14500	Presser Bar Position Guide Set Screw
207965	16904	" " Spring (flat)
210949	16218	" " " Bracket with 200086C
200086C	14500	" " " Pinch Screw
350346C	16905	" " " Regulating Screw
200948F	15838	" " " Support Screw
202090	16906	" Foot Hinge Pin
203013	-----	" " Plate
200074F	16218	" " Screw
215911	-----	" " Shank
229882	16907	Presser Foot (hinged) complete, Nos. 202090, 203013 and 215911
265032	16218	Safety Clutch Hook Driving Shaft Posi- tion Collar with two 201254C

No.	Plate	Name
201254C	16218	Safety Clutch Hook Driving Shaft Position Collar Set Screw
265056	16218	Safety Clutch Locking Lever
265050	16218	" " " " Connecting Link
200993C	16218	Safety Clutch Locking Lever Hinge Screw
265035	16218	" " " " Spring
200962C	16218	" " " " Adjusting Screw
200092D	16218	Safety Clutch Locking Lever Spring Screw
240625	16908	Safety Clutch Pulley with 200962C and 202253
202253	15222	Safety Clutch Pulley Spring Flange
265057	16218	" " Throw-in Latch
265052	16218	" " " " Pin
265051	16218	" " " " Spring
250626	-----	Safety Clutch complete, Nos. 200092D, 200993C, 240625, 265032, 265035, 265050 to 265052, 265056 and 265057
240022	16905	Take-up Lever
202399	16905	" " Driving Stud with 202277
202277	-----	" " " " Oil Packing (wick)
202400	16905	Take-up Lever Hinge Stud with 202423
202423	-----	" " " " Oil Packing (wick)
200383C	16901	Take-up Lever Hinge Stud Set Screw
202401	-----	" " Oiling Felt
200132E	16218	" " " " Screw
240023	16905	Tension Bracket with 201224B and 236060
200159F	16906	" " Screw
240024	-----	Tension Bracket complete, Nos. 13710, 200978H, 201199F, 204271, 223703, 223704, 223706, 237174, 240023, two each 200309E, 201572B and 244048
244048	16906	Tension Disc
236060	16906	" " Position Pin
223703	16506	" Release Lever
235072	16906	" " " Rod
200309E	16906	" " " Screw
223704	16906	" " Plunger
204271	16906	" " Washer
13710	16906	" Spring
201224B	16906	" Stud
201572B	10886	" Thumb Nut
223706	16906	Thread Controller Disc
200978H	16218	" " " Screw
237174	16906	" " Spring
240627	16906	" " " Stop

No.	Plate	Name
200132E	16218	Thread Controller Spring Stop Screw
201199F	16906	" " Stud with 204925
200061C	16906	" " " Set Screw
201572B	10886	" " " Thumb Nut
204925	16906	" " " Washer
202412	16906	" Guide
224040	16906	" "
210954	16906	" " (lower)
210955	16906	" " (upper)
200582H	15189	" " Screw (4)
240034	16906	" Retainer
200366H	16906	" " Set Screw
240628	16907	Throat Plate
200577XC	16906	" " Screw (2)

## ACCESSORIES

No.	Plate	Name
203470	15189	Bobbin (5)
*225482	-----	" Case Screw Driver Blade
*225483	-----	" " " " Handle
225497	11156	Bobbin Case Screw Driver complete, Nos. 225482 and 225483
41401	11156	Machine Rest Pin (wood)
135 x 7	-----	Needles, six, size 18
227104	-----	Drip Pan (case iron square) with one hard wood screw 1-1/2 in., No. 14, R. H. B.
51078	15220	Machine Bolt (4)
6055	15220	" " Washer (4)
120342	11156	Oiler (copper plated) with 120343
120343	11156	" Spout, 3-1/2 in. long
*225484	-----	Screw Driver Blade
*225485	-----	" " Handle
225498	11156	Screw Driver complete (7-1/4 in. long), Nos. 225484 and 225485
225554	11156	Wrench (steel)

## BOBBIN WINDER

(SWINGING AUTOMATIC, RIGHT HAND)

225453	10886	Frame with 202277 and 225438
225454	10886	" Hinge Pin
202277	-----	" Oil Packing (wick)
225438	10886	" " Well Cap
225455	10886	" Spring
225456	10886	" " Plunger
202473	10885	Pulley with 200380C
200380C	10886	" Set Screw
225381	10886	Spindle
225444	10886	Stop Latch
200056E	10886	" " Screw
225458	10886	" " Thumb Lever
225459	10886	" " " " Hinge Stud
225459	10886	" " " " Joint Stud
202478	10886	" " Trip Lever
200299H	10886	" " " " Hinge Screw
225461	10886	Tension Bracket with 201499B
200082D	10886	" " Screw

No.	Plate	Name
228026	1-886	Tension Bracket Screw Washer
2102	1-886	" Disc
202407	1-886	" Spring
201499B	1-886	" Stud
201572B	1-886	" " Thumb Nut
225462	---	Bobbin Winder Tension Bracket complete, Nos. 201572B, 202407, 225461 and two 2102
225433	1-885	Bobbin Winder and Tension Bracket Base
225382	1-885	Universal Bobbin Winder complete, Nos. 200056E, 200082D, 200299H, 202473, 202478, 225381, 225433, 225444, 225453 to 225456, 225458, 225462, 228026, two each 225459 and wood screws 3/4 in., No. 12, R. H. B.

## FOOT LIFTER

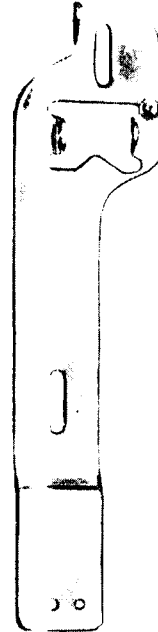
227952	1-156	Foot Lifter Lever with 227954
227678	1-156	" " " Chain, 48 in. long, with 202784
227954	1-907	Foot Lifter Lever Chain Hook (lower)
202784	1-907	" " " " " (upper)
225016	1-907	" " " Hinge Pin
227953	1-156	" " " Stand with two wood screws 1 in., No. 12
227955	1-156	Foot Lifter Lever complete, Nos. 225016, 227678, 227952 and 227953

(Other Foot Lifter parts are listed with parts of machine head)



PLATE 10885 ONE-FOURTH SIZE

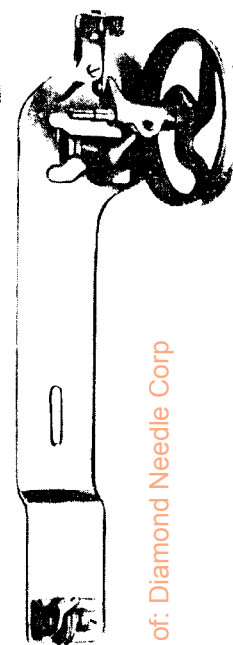
20533



20532



205382



Genuine Singer Needles should be used  
in Singer Machines.  
These Needles and their Containers  
are marked with the  
Company's Trade Mark "SIMANCO." 1

Needles in Containers marked  
"For Singer Machines"  
are not Singer made needles. 2

From the library of: Diamond Needle Corp

PLATE 10886 - FULL SIZE

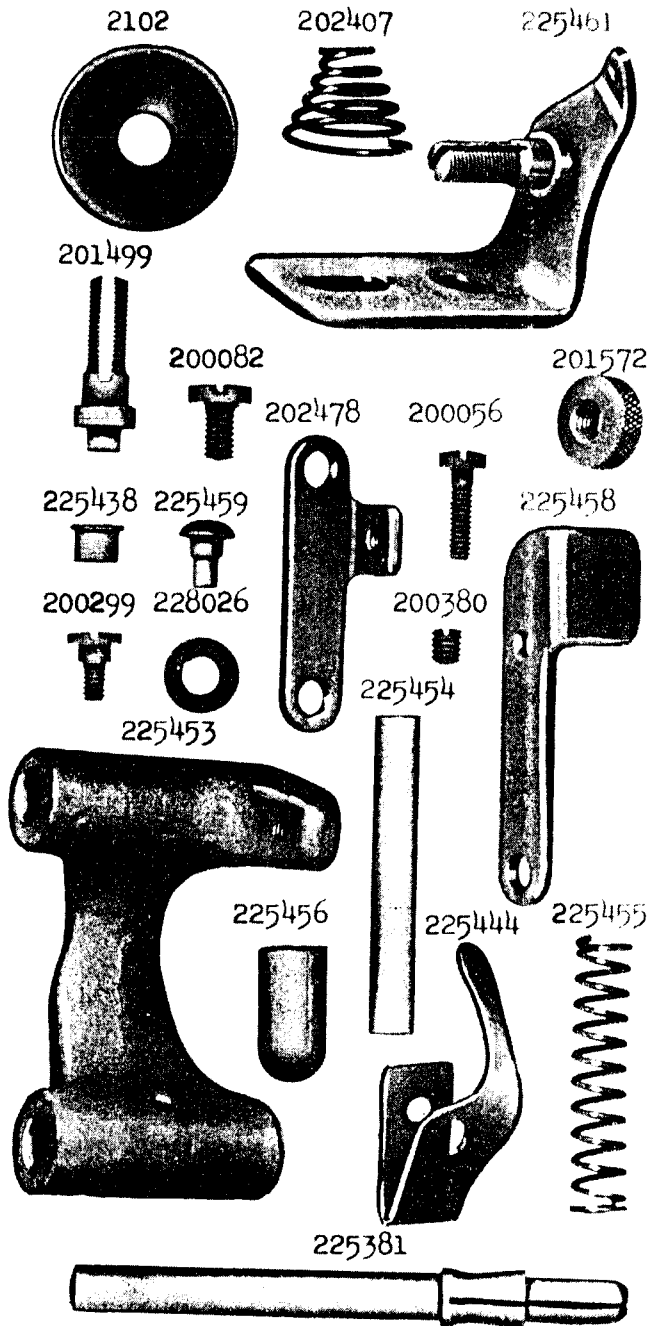
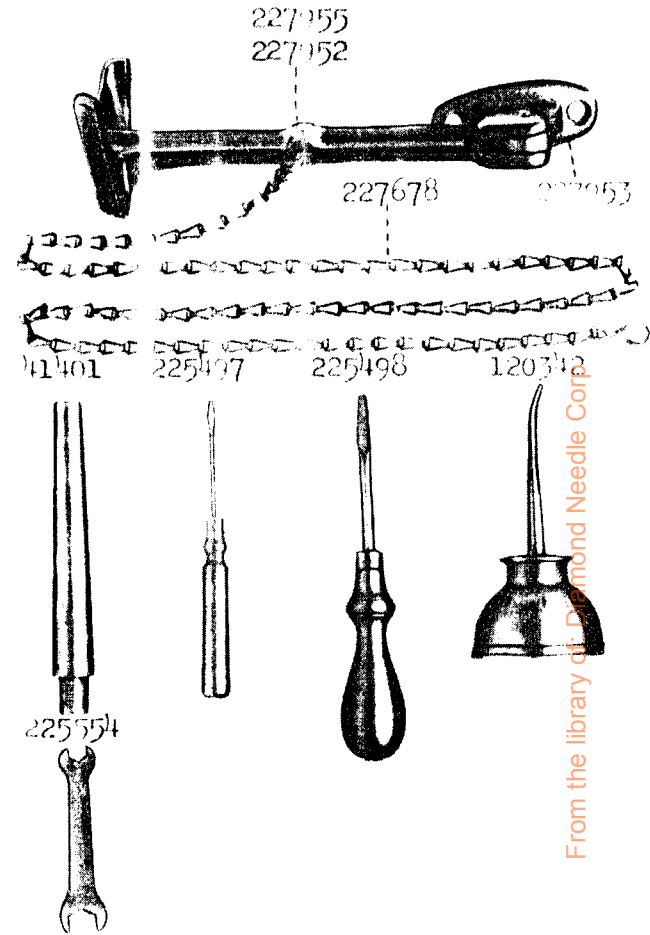


PLATE 11156 - ONE-FOURTH SIZE



From the library of Diamond Needle Corp.

PLATE 14500 - FULL SIZE

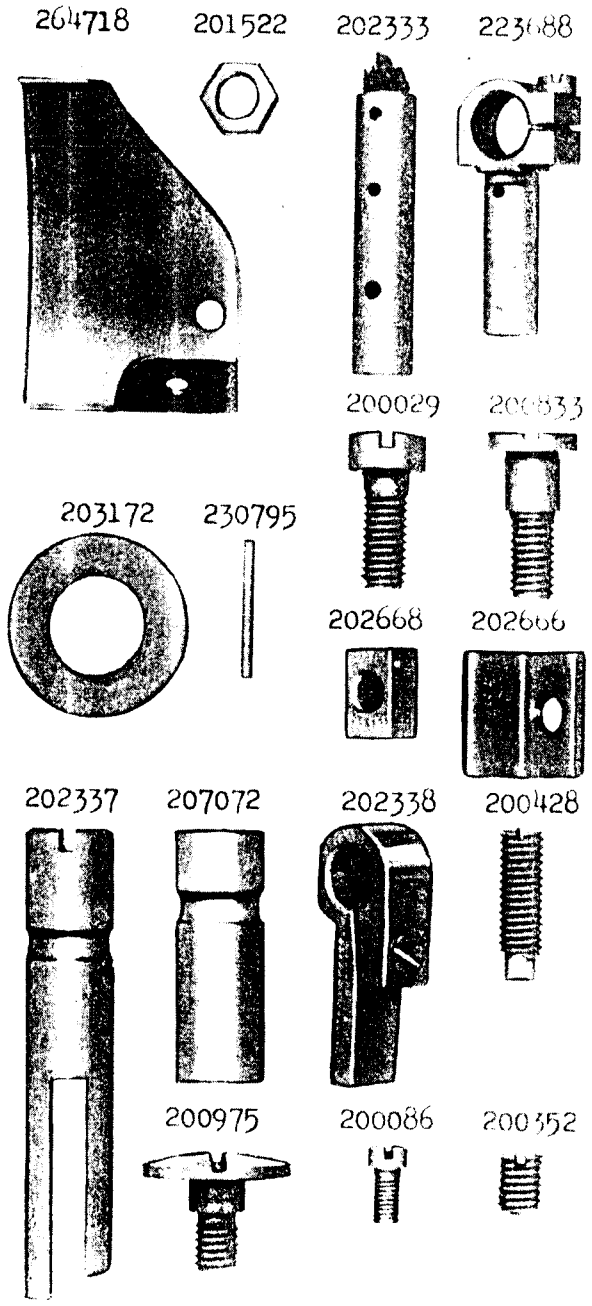
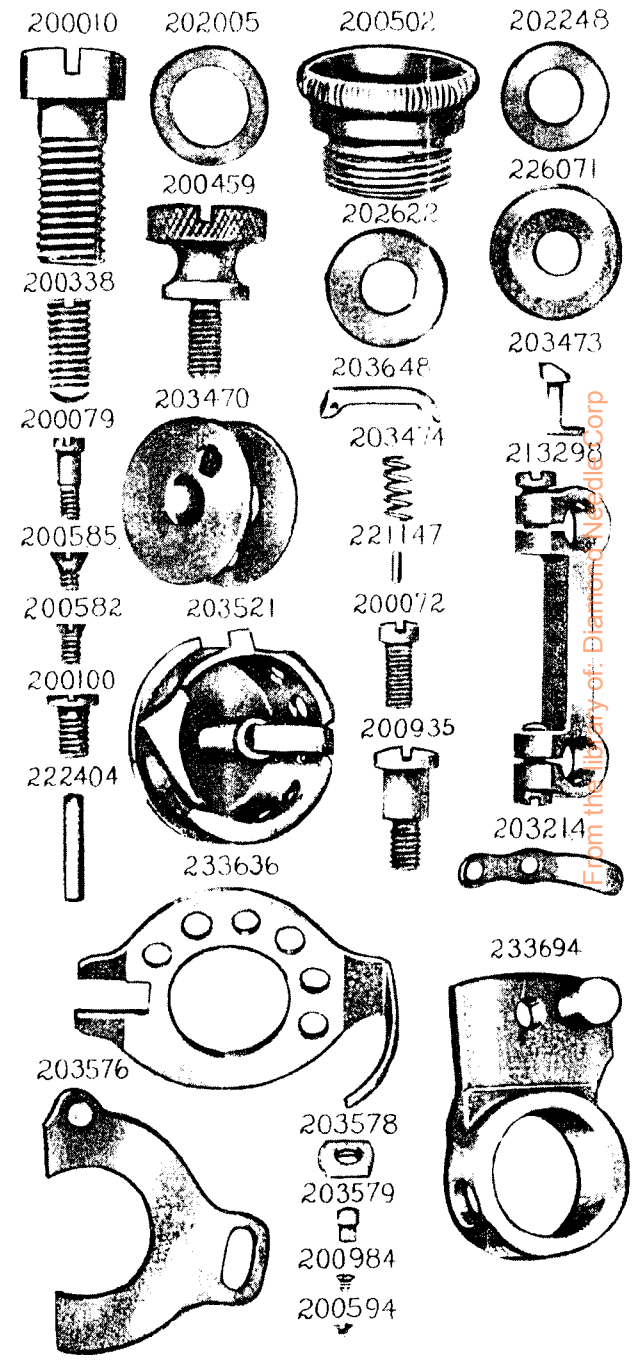


PLATE 15189 - FULL SIZE



From the Library of: Diamond Nipples Corp

PLATE 15220—FULL SIZE

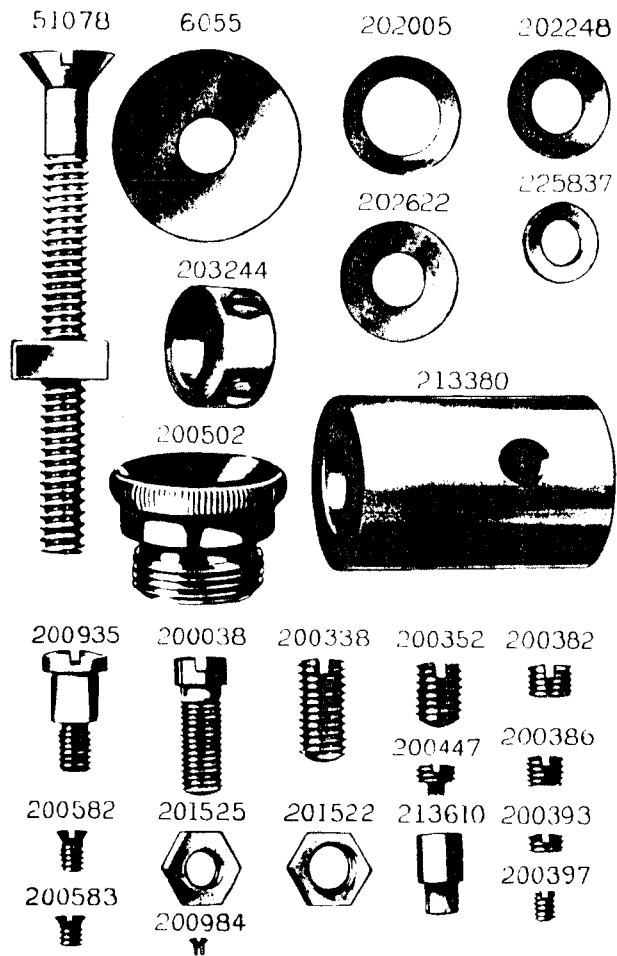
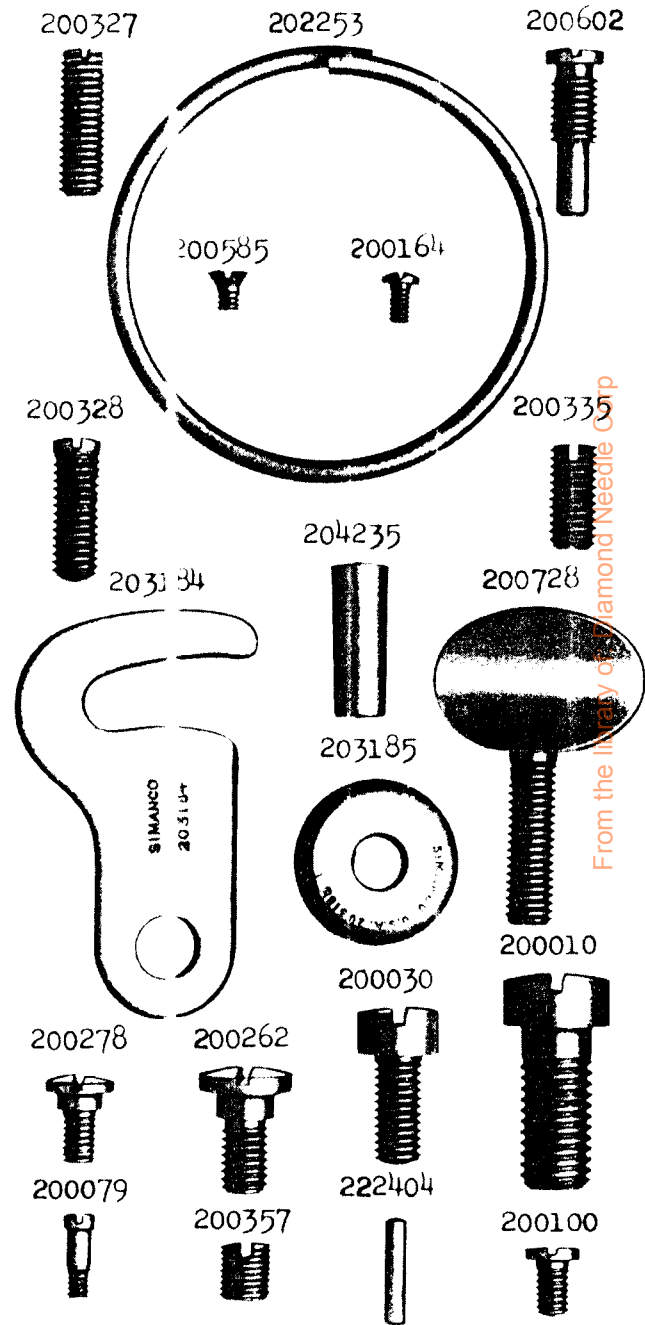


PLATE 15222—FULL SIZE



From the library of Diamond Needle Corp

PLATE 15838 - FULL SIZE

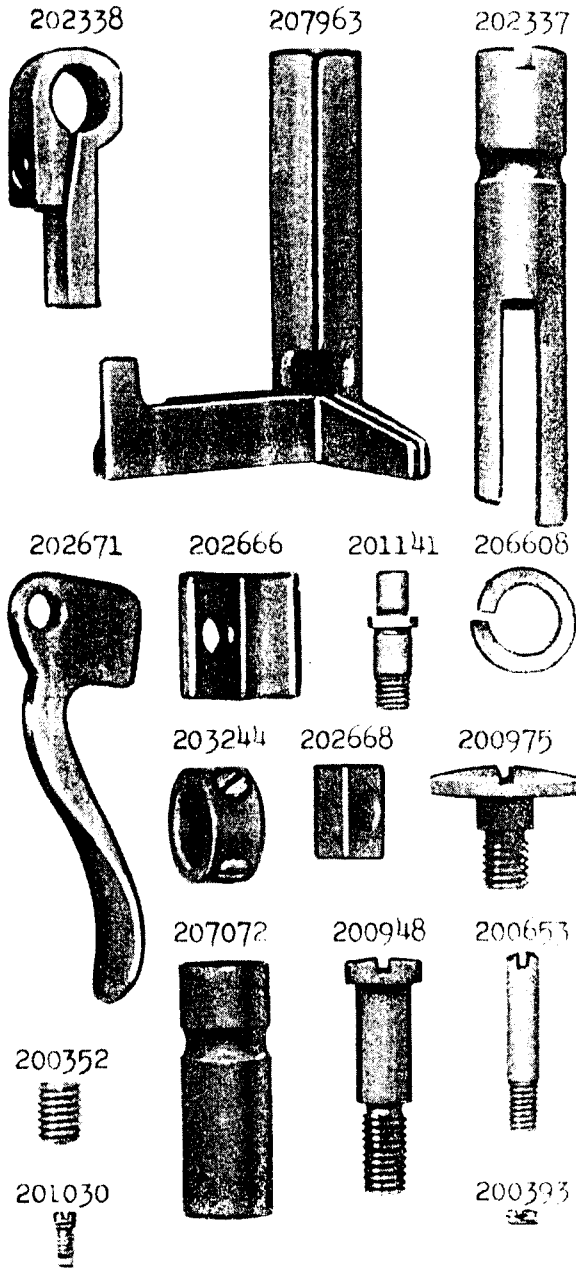


PLATE 16218 - FULL SIZE

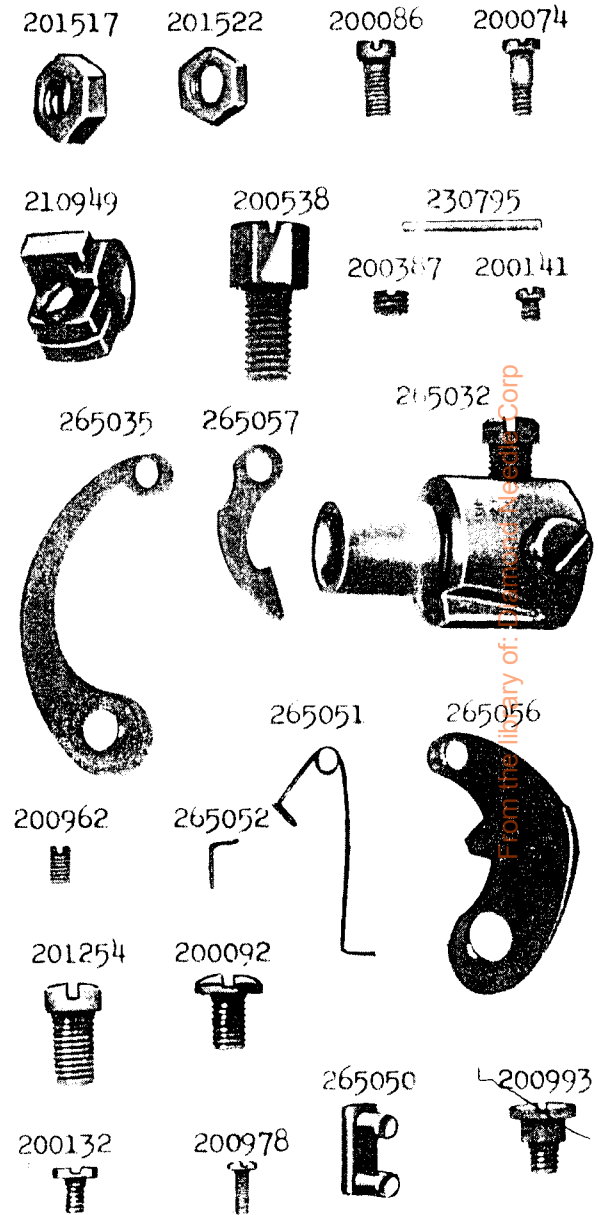


PLATE 16901 - FULL SIZE

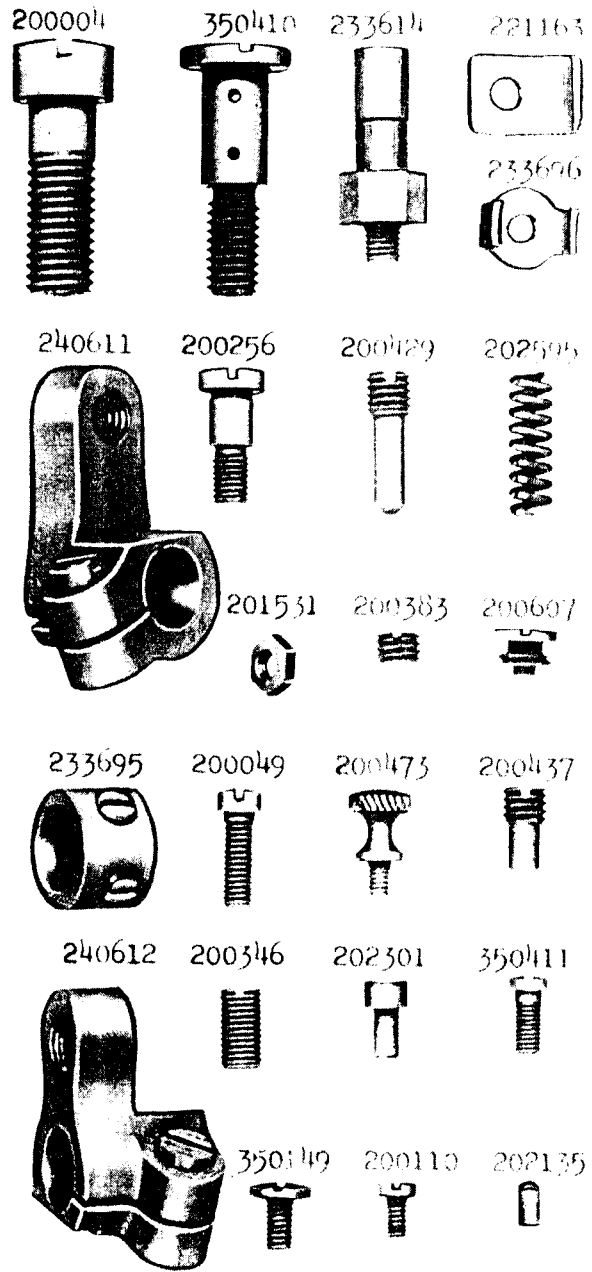
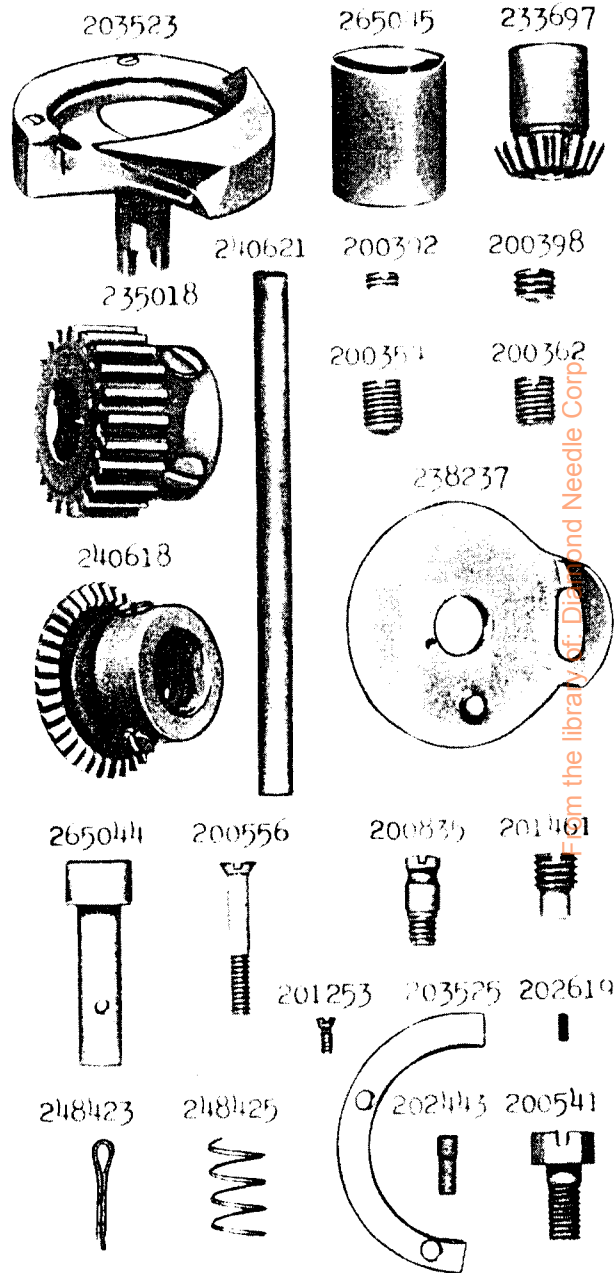


PLATE 16902 - FULL SIZE



From the library of: Diamond Needle Corp.

PLATE 16903 - ONE-HALF SIZE

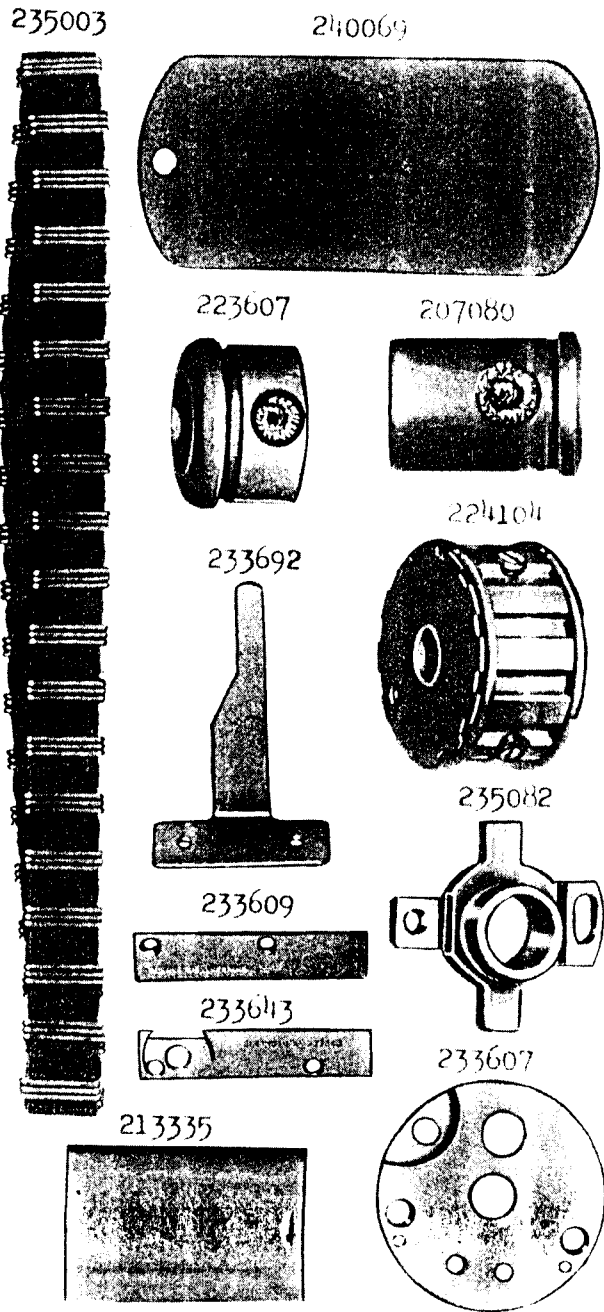


PLATE 16904 - ONE-FOURTH SIZE

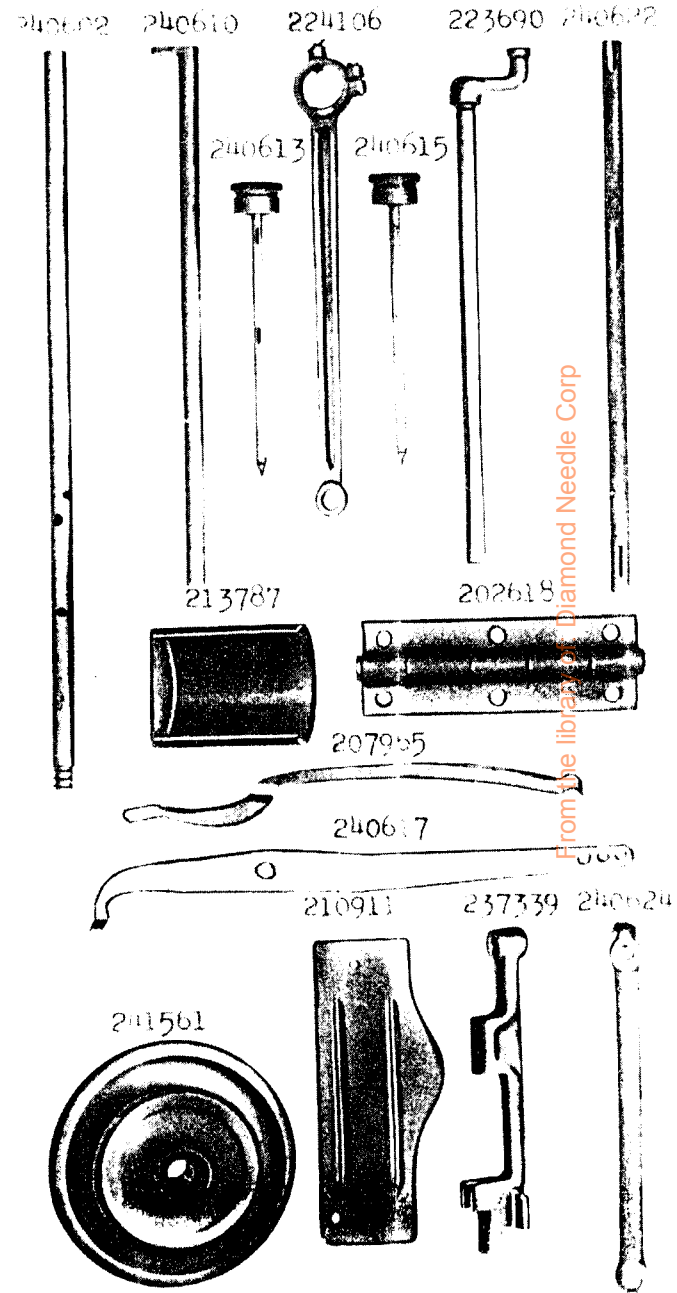


PLATE 16905 - FULL SIZE

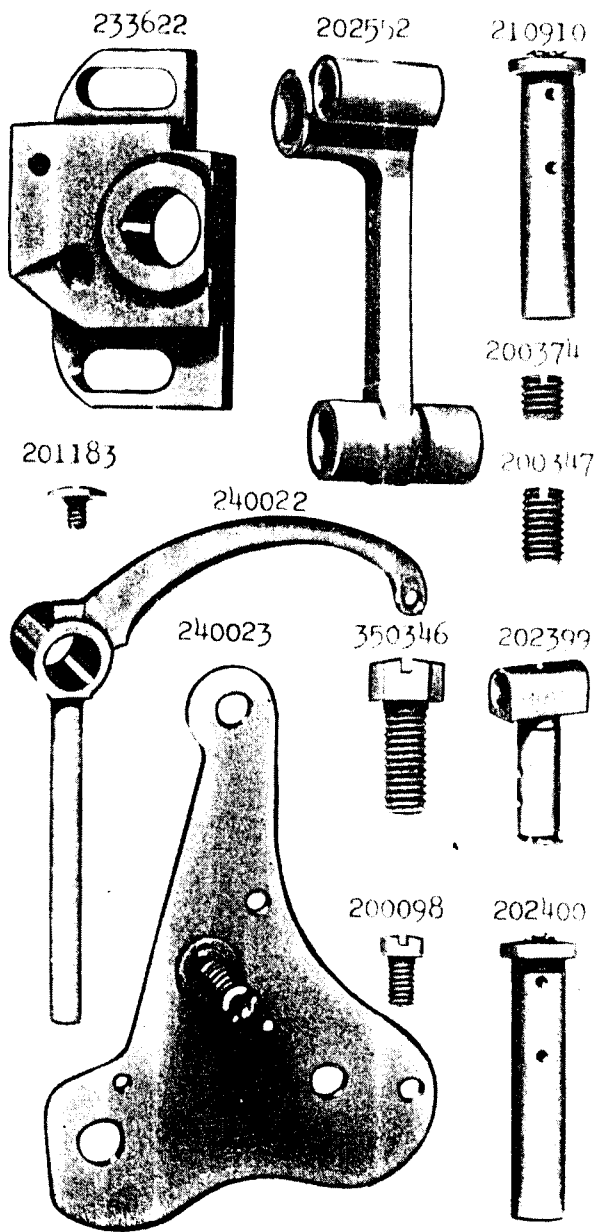


PLATE 16906 - FULL SIZE

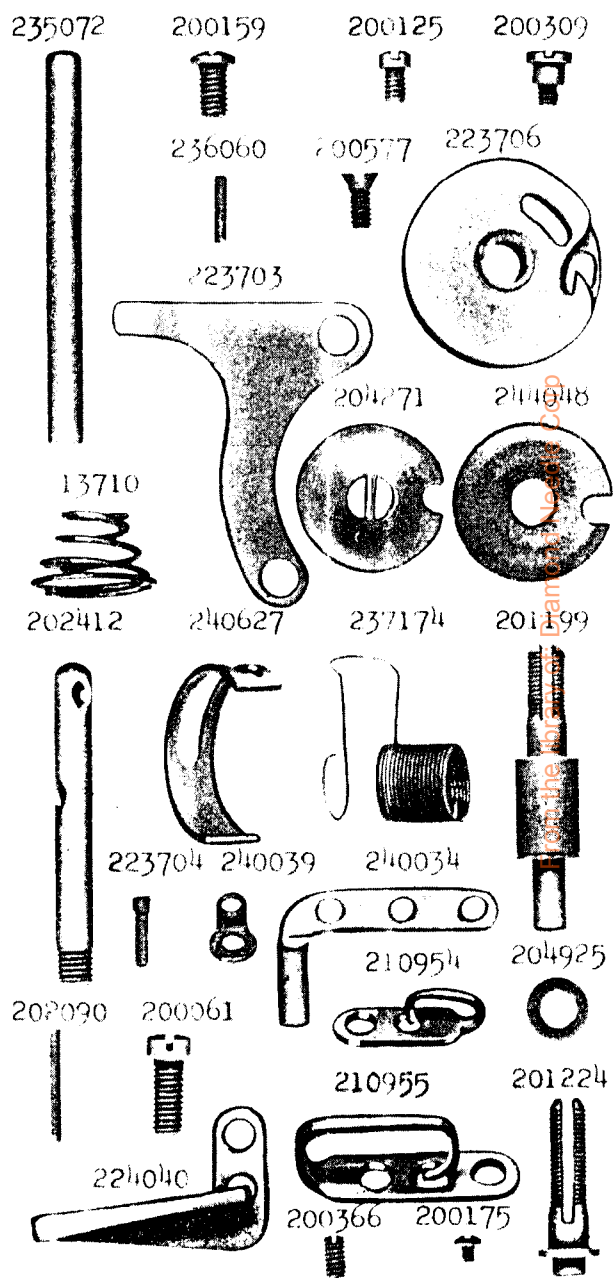
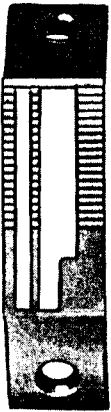


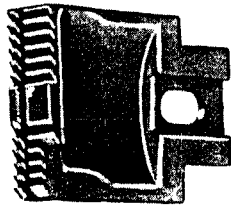


PLATE 16907 - FULL SIZE

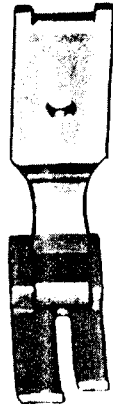
240628



240604



229882



227954



202784



225016



PLATE 16908 - ONE-HALF SIZE

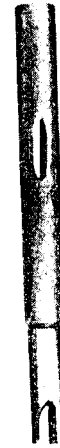
208566



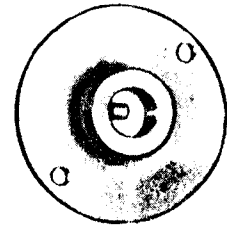
240020



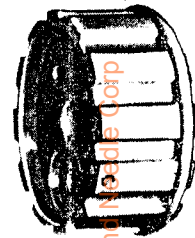
240619



224108



240625



235017



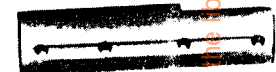
240620



235021

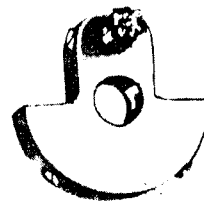


235066

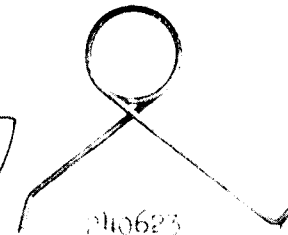


From the library of the Department of Defense

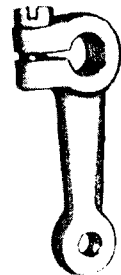
202692



227561



264112



240623

